

The Sound Organisation

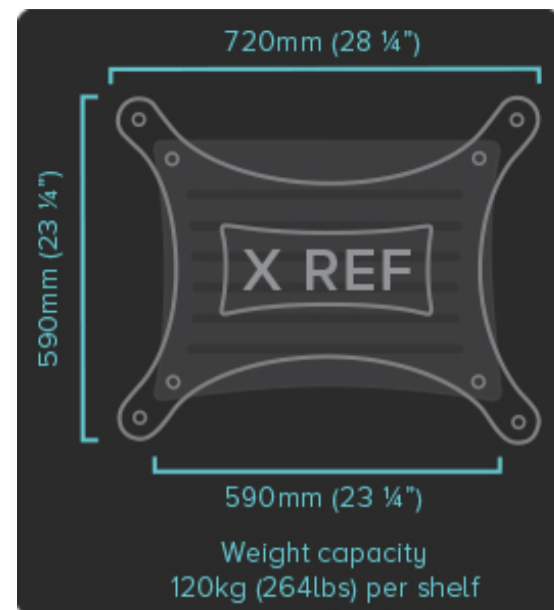
Quadraspire 2018 Fall



[Website Link](#)

E&OE 2018

Quadraspire



Quadraspire X Reference

The Best

AN EXCEPTIONAL STAGE FOR YOUR HI FI

In the same way as every musical performance needs a stage so a HiFi needs a stage to bring the music to life in your home. Combining the technology of the SVT rack and the bronze upgrade we effectively created a rack within a rack making the entire system more musical and enjoyable.

\$1,799.00 (per layer)

The X REF Columns come in a Black finish and are available in 4 different heights to accommodate different sized components and can be easily interchanged if your system changes.

The heights available include*:

250mm (10")

300mm (12")

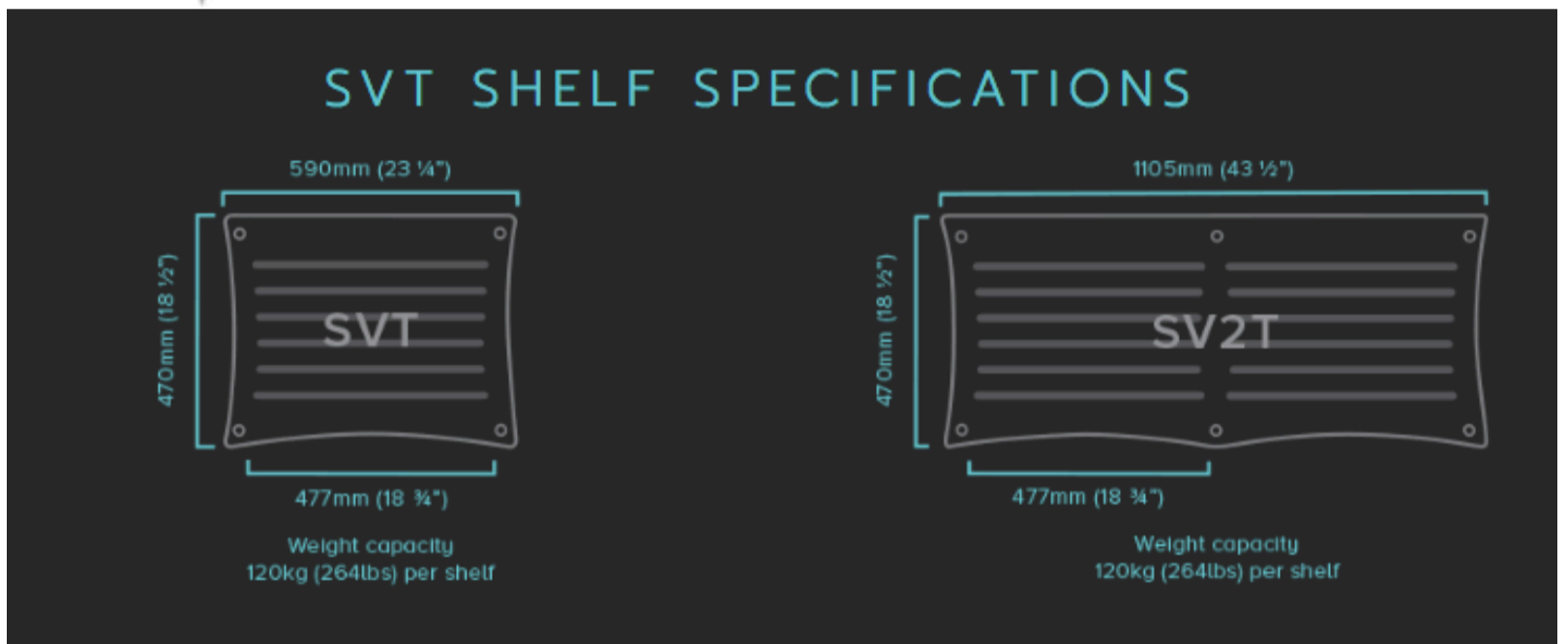
350mm (14")

*Reduce column height by 70mm for total interior clearance (250 - 70 = 180mm usable height) (i.e. usable interior height 180/230/280mm)

[Learn More](#)



Quadraspire



Quadraspire Sunoko Vent

Better

THE SUPERIOR STAGE THAT ALLOWS YOUR HI FI TO BREATHE

In the same way as every musical performance needs a stage so a HiFi needs a stage to bring the music to life in your home. Building on the success of the Q4, the SVT performance HiFi rack was developed for larger HiFi systems and better sound performance. Curved columns help to further reduce resonance and vented shelves reduce mass and allow air to flow freely around your system.

SVT Columns come in a Black or Silver finish and are available in 5 different heights to accommodate different sized components and can be easily interchanged if your system changes.

The heights available include:

- 140mm (5.5")
- 180mm (7")
- 216mm (8.5")
- 256mm (10")
- 326mm (12.75")



Quadrspire

SVT (per layer)

Black ash, Cherry & bamboo stocked.

Per layer Veneer \$449.00

Per layer Bamboo \$549.00

SV2T (Double Wide, per layer)

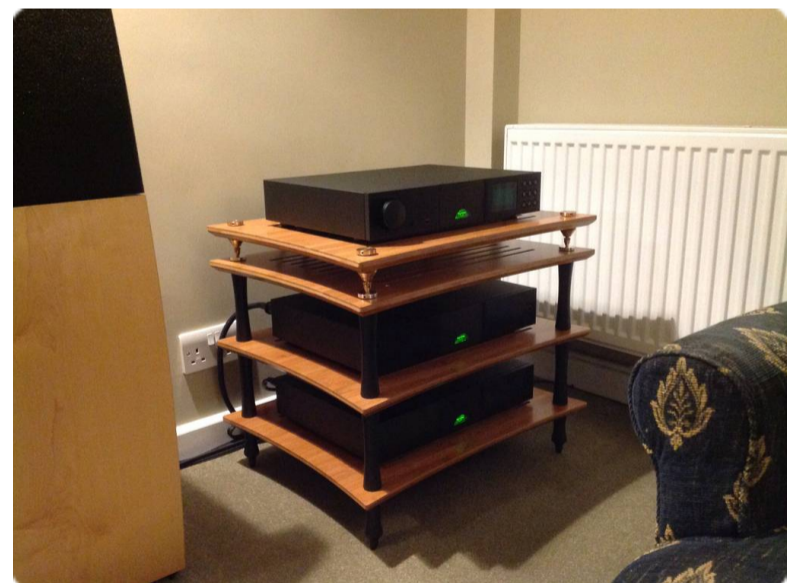
Black ash, Cherry & bamboo stocked.

Veneer \$799.00

Bamboo \$949.00



[Learn More](#)



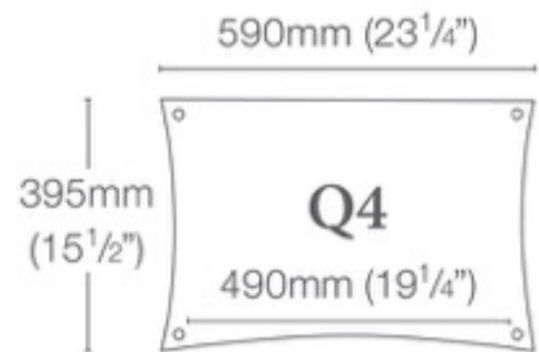
How High Can I build ?

Theoretically there is no limit, we have found that not exceeding 8 tiers is the maximum recommended for the whole frame in terms of performance and aesthetics.

Q4 Evo

Build from solid foundation

In the same way as every musical performance needs a stage so a HiFi needs a stage to bring the music to life in your home. Twenty years ago Quadrspire set out to develop a modular rack – the Q4 – that could support a variety of Hi Fi systems and deliver acoustic performance with style. This was achieved by combining solid aluminum columns with specially engineered shelves to create a light and rigid construction to deliver a clearer, cleaner musical performance.



Q4 Evo (per layer)

Black ash, cherry & bamboo stocked.

Per layer Veneer \$219.00

Per layer Bamboo \$279.00

[Learn More](#)



Q4 Evo Columns come in a Black or Silver finish and are available in 5 different heights to accommodate different sized components and can be easily interchanged if your system changes.

The heights available include:

140mm (5.5")

180mm (7")

216mm (8.5")

256mm (10")

326mm (12.75")

QPlus

Acoustic Interface

THE ACOUSTIC INTERFACE FOR YOUR HIFI

Where one of our HiFi racks is not an option, transform your furniture into a HiFi rack using a QPlus acoustic interface. HiFi components can produce and absorb energy that has a detrimental effect on sound. QPlus acoustic interfaces are designed to mimic our racks that reduce resonance to deliver a clearer, cleaner musical performance.



Q Plus & Rega Planar 2

[Learn More](#)

Q Plus Reference to mimic a X-Reference Series Stand
\$1199
Set of four

Q Plus Advanced to mimic a SVT Series Stand
\$499.00
Set of four

Q Plus to mimic an Q4Evo Series Stand
\$199.00
Set of four



Accessories

Spare Columns

Q4 Evo Columns (set of four) \$99.00

(Refer to page 4 for Heights & Color)

SVT Columns (set of four) \$199.00

(Refer to page 2 for Heights & Color)

Reference Column (set of four) \$299.00

(Refer to page 1 for Heights & Color)

Foot & top cap sets

Q4 Evo Top & Foot Set (set of four) \$99.00

SVT Top & Foot Set (set of four) \$199.00

Reference Top & Foot Set (set of four) \$299.00

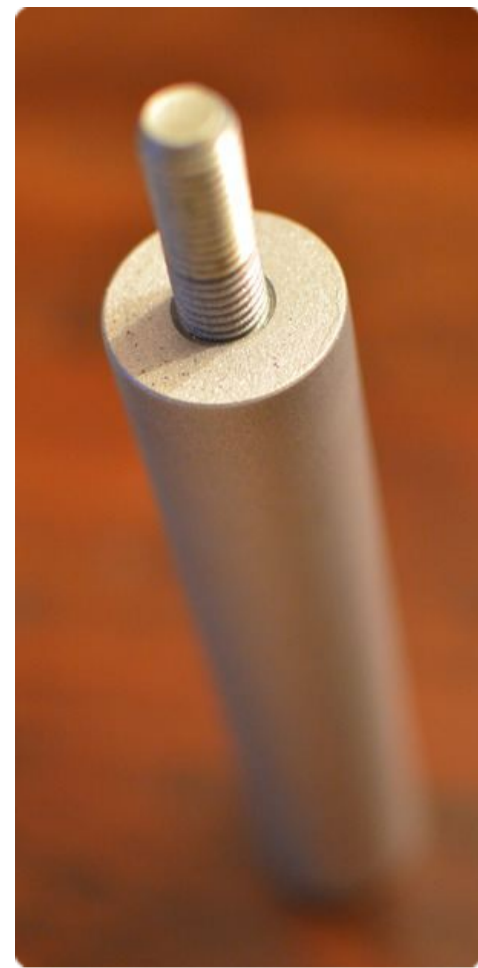
QCast (Set of four) \$89.00

Castor set for Q4Evo or SVT

Floor Protectors

QC Spike Protectors (set of four) \$39.00

QX7 Isolation feet (set of four) \$179.00



[Learn More](#)

Bronze Upgrades

Not third place - best sounding

After months of research turning many fine metals these isolation spike set can be used on the Q4 & SVT Series Racks (for the keen eyed you may see she's a component part of X reference)

SV Bronze \$599.00

Q4 Bronze \$299.00

How do these look ?

Below you can see 1.5 sets of SV Bronze used on the SV2T Giving the Top shelf the peak performance without the step up to X-Reference edition racking



[Learn More](#)

Wall Shelving

No space, No problem

SVT Wall Shelf

SVT Bamboo & Bronze Kit (top RHS)

\$1595

SVT Wall Shelf (bottom RHS)

\$995



Q4 Evo Wall Shelf

Q4 Bamboo Bamboo & Bronze Kit (mid RHS)

\$799

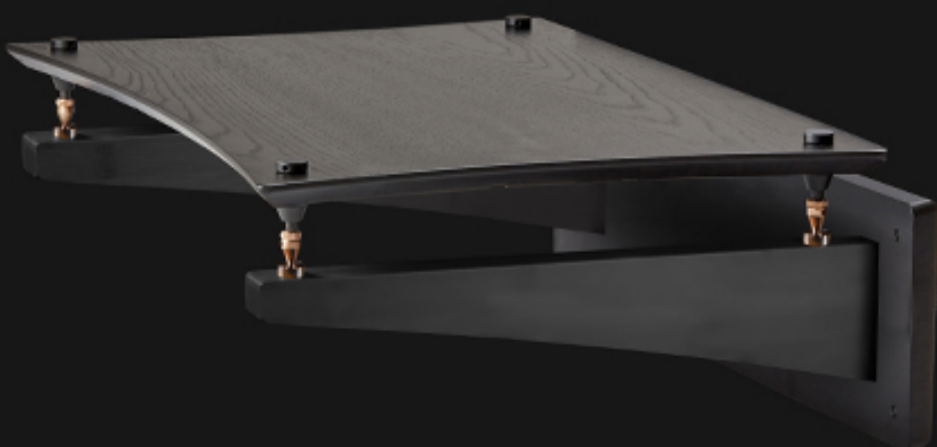
Q4 Evo Veneer (bottom LHS)

\$499

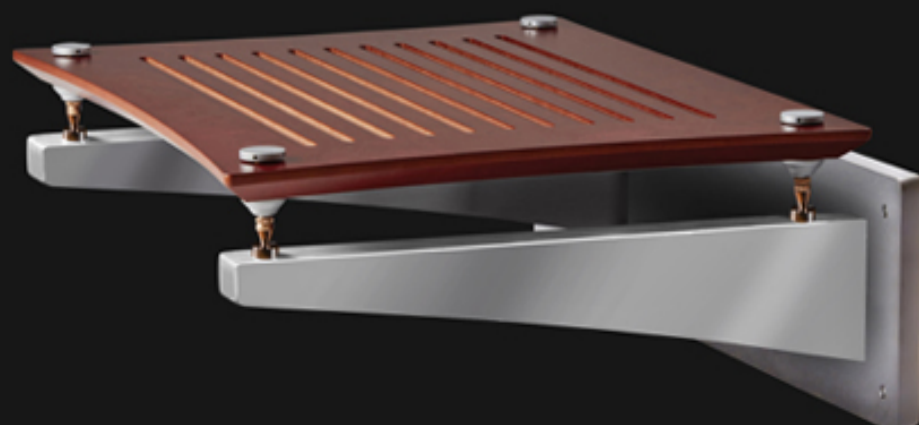


Bamboo Stocked in the US - Other color choices timeline are typically 4-5 weeks - Painted Bamboo outriggers

Q4 Evo Black Bracket and Black Shelf



Silver wall bracket with SVT Cherry shelf



How Special Orders Work ?

Special order items are not held in stock at TSO in Dallas, or Quadraspire in the UK. Considered 'bespoke' items, they are built-to-order. This includes non-standard finishes or column heights (wenger, oak etc.).

Average lead time is 6-12 weeks from time of order, unless otherwise noted. Oversize items, such as QAVX and SV3T, are shipped from the UK via sea freight and will have longer lead times on average. Given the custom nature of built-to-order products, ETAs are subject to change. Any special requests are subject to additional charges.

Once you've placed your order, we will confirm, and then obtain an ETA from the factory for build and shipping.

Special orders are non-refundable.



Quadrspire

The Sound Organisation
1009 Oakmead Drive
Arlington
Texas
76011
soundorg.com